

*Thank you very much for your order.*

On purchasing your spa you gave us an estimated month of delivery, within the next few days our installation department will contact you in writing with information regarding your delivery date. If you have not received a letter within 14 days please call our installation department on 01245 265036 and choose option 2.

To enable us to complete your delivery as smoothly as possible, please ensure the following arrangements are made:

### Electrical Supply

Your electrician will need to provide a 16amp MK Masterseal waterproof socket near the spa and a Type C RCD to protect the consumer unit. This system will allow your spa to be automatically switched back on after power cuts. Alternatively you could use a Masterseal RCD socket, which is both waterproof and a RCD protector, but will not automatically reset after power cuts.

To comply with BS7671 legislation as of the 1<sup>st</sup> January 2005 a competent electrician registered with one of the following must carry out all electrical work: BRE Certification Ltd (ECA & IEE); British Standards Institution; ELECSA Ltd; NICEIC Certification Services Ltd or Zurich Certification Limited. Your electrician should give you a certificate once the work has been completed and this should be available for our technicians to see.

### Base:

Ideally the spa should be sited on a base of 4" thick reinforced concrete, although this is an ideal it is not *strictly* necessary. Our spas are structurally very solid and could be put on any flat level surface; even grass if that is what you want to do. The worst that can happen is over time the spa will sink a little and the water may appear to be higher on one side of the spa than the other, it may also mean that removal of the drain plugs may be more difficult, this could be rectified if it happens by removing a section lawn and earth.

The base should be a minimum of 6ft 9" by 6ft 9". If you intend to bury your cable please ensure it is buried at least 450mm deep, encased in high impact duct of preferably 32mm or 25mm diameter (available from B & Q). Bring the supply up at the centre front edge of the door side and pulling a length of string through the pipe so we can pull our cable through. The instructions for bases may change if you are having a spa mounted/free standing building installed. Please consult building installation instructions if this is the case.

If, temporarily, you want to site the spa on an existing patio or concrete base please ensure it is completely flat and that it will happily hold the weight of the spa once filled with water (weight of spa when filled with water is 1702 kg). If there is a drop of ½" or more across the area it is advisable to have a concrete skim laid to ensure the base is level. We are unable to jack the spa to make it flat as this could weaken the under-structure and will invalidate your guarantee.

If you have decided to site your spa indoors please remember that the spa will produce steam from the sanitised water and we would therefore suggest that you or your designated third party (builder, architect etc), consider any ventilation, extraction and/or drainage that may be required. Our staff are happy to assist wherever possible but they cannot provide professional build advice.

### Engine Compartment

In the event that a technician needs to work on your spa or for you to be able to drain it or to change the light bulb there must be at least 24" clear working space on the control side of the spa.

### Cover Cradle®

If you are having a Cover Cradle® fitted to your spa please allow a 26" gap for this to operate. On the Sumatran the Cover Cradle® operates both from side to side or front to back. However, if you choose side to side the cover clips must be relocated and this will leave three holes in each side that we are unable to cover up.

### Cover Mate®

If you are having a Cover Mate® fitted to your spa please allow a 18" gap for this to operate. On the Sumatran the Cover Mate® operates both from side to side or front to back. However, if you choose side to side the cover clips must be relocated and this will leave three holes in each side that we are unable to cover up. Your Cover Mate® can also operate in the same way as a Cover Buddy in this case only a 9" gap is required.

### Cover Buddy

If you are having a Cover Buddy fitted to your spa please allow a 9" gap for this to operate. On the Sumatran the Cover Buddy operates both from side to side or front to back. However, if you choose side to side the cover clips must be relocated and this will leave three holes in each side that we are unable to cover up.

### Sinking Of Spas:

If you intend to sink your spa at all please ensure adequate drainage and access, please refer to sinking instructions or call our installation department, inattention to this could invalidate your warranty.

### Spa Building or Gazebo

If you are having a lip mounted or free standing building with your spa please refer to the separate installation instructions as the addition of a building may change the required size of your base and could influence where you site your spa. If you have not been given these instructions please call our installation department or your sales person and they will send a copy to you.

### Access/Delivery:

Access should be clear for our technicians to push your spa on a wheeled dolly (trolley) from the delivery vehicle to the site for the spa, please measure any alleyways or tight spots bearing in mind obstructions such as steps, low roof overhangs, drainpipes, window seals, tight turns or anything that could obstruct the delivery route. Your Sumatran Spa, when in the trolley, will need a minimum access width of 34" and a minimum access height of 84". Spas are very heavy and even an 8" step requires thought.

If your delivery does require the use of a commercial crane (other than our vehicle mounted Hiab) we must point out that this will be at your cost and your responsibility to arrange unless written agreement is given to the contrary. We recommend that you investigate the addition of insurance when booking the crane.

### **Payment of Balance**

**Payment of balance is due prior to or on the day of delivery, payment can be made by :**

- **bankers draft or building society cheque - made payable to 'Hot Tub Barn Limited'**
- **bank transfer (4 days before delivery) – please call 01245 265036 and choose option 4 for details**

**Unfortunately we are no longer able to accept personal or company cheques unless full payment is made prior to delivery and is fully cleared (to ensure cleared funds please post your cheque to Head Office 10 days before delivery).**

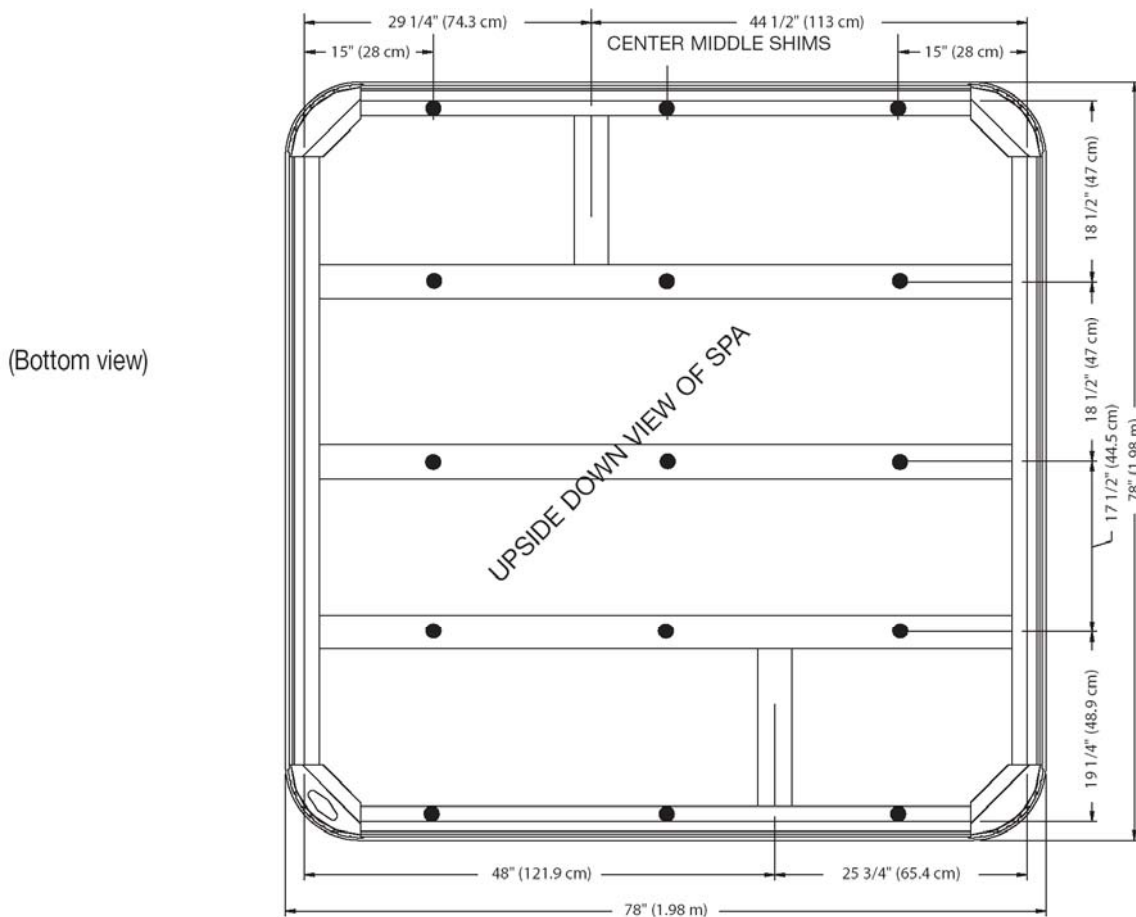
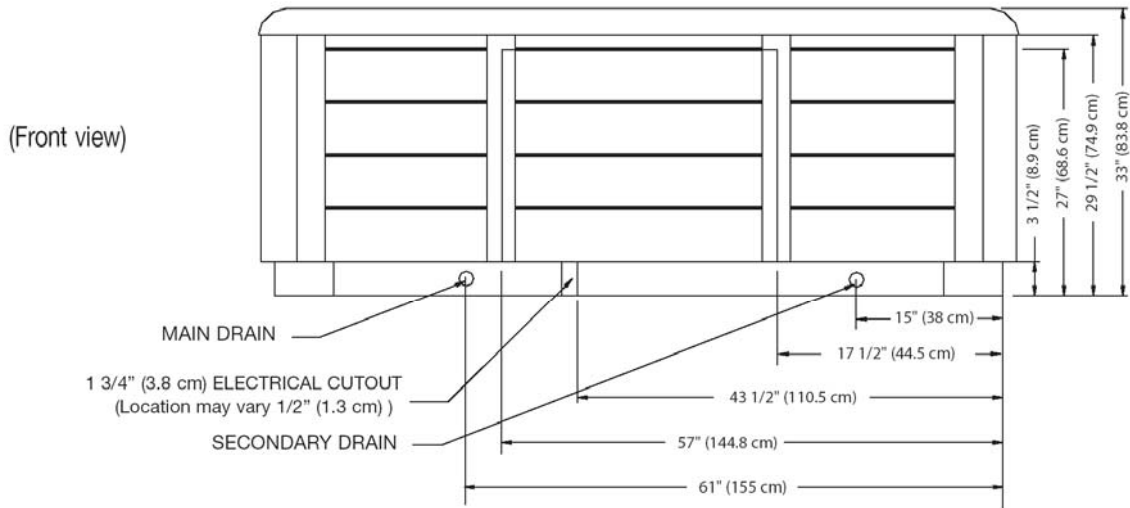
**We only accept credit card payments of the balance by prior agreement and there is a 2.5% commission charged for this service.**

***If payment is not been made on or before the day of delivery we reserve the right to remove the goods until payment is received. All goods remain the property of Hot Tub Barn Limited until full payment is received.***

If you have any queries or require further information regarding the delivery of your spa please contact your Sales Person or our installation department.

We look forward to having you in "Hot Water" very soon.

**Please Note:** All dimensions are approximate; measure your spa before making critical design or pathway decisions.



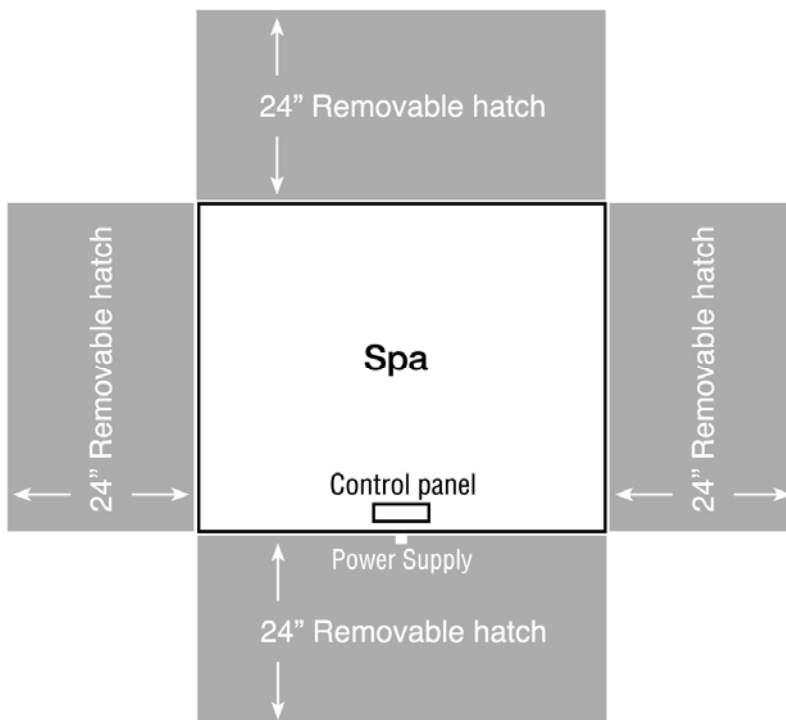
## Instructions and Advice for Sinking Spas

If you intend to sink your spa please read the following carefully.

Because of the need to access the spa should a fault occur we need you to design your deck with removable hatches.

When digging your pit please allow a 24" (61cm) gap on all four sides of your hot tub and ensure retaining walls are sufficient to allow clean access and no backfilling should occur as this could invalidate warranties.

Dig the hole and lay a 5" (13cm) reinforced concrete base with a soak away underneath. Please position your soak away so it can be accessed to ensure it cannot become blocked with debris. Please make sure the soak away is sufficient to ensure your pit cannot become full of water because your warranty will not cover flooded electrical components.



If you are to sink a HotSpring Spa fitted with SpaAudio you must leave the spa semi-sunk so as to expose the outside controls.

If you are in a low-lying or possible flood area the fitting of a submersible sump pump is recommended.

If using decking around the spa, all four sides, may require access, must have removable panels to allow access to the sides of the spa.

Please ensure the electrical requirements meet those shown in the Installation Instructions you were given at the time of purchase. All electrical fittings must be accessible at the control panel end of the pit and are fitted to current legislation.

Always consult a builder or contractor for professional advice.

If you have any questions or queries regarding sinking your spa please contact your sales person or our installation department.